

»FUTURA« series

Pneumatic systems or parts of systems can be switched on and off by means of an pneumatic signal.
3/2-way type including silencer.
When they are switched off, the system is exhausted at the same time.

Max. input pressure	16 bar
Temperature range	-10 °C to 50 °C
Medium	Compressed air, neutral gases
Housing	PA66 GF60
Connecting thread	Material: Die-cast zinc
Flow rate measurement	At P ₂ = 6 bar and pressure drop Δ _p = 1 bar

3/2-way valve pneumatically operated

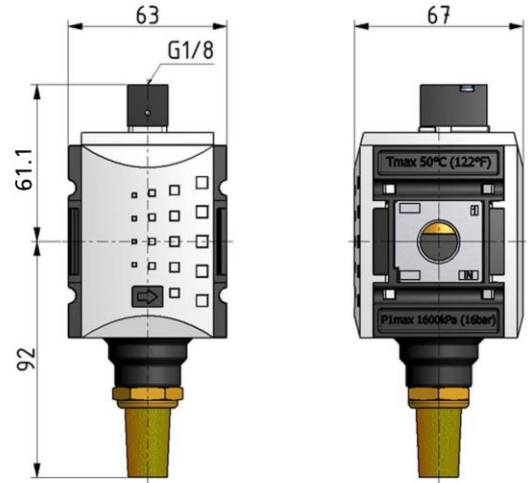
Art. No.	Type No.	Thread	Size	Exhaust air	Flow rate l/min
139309	FU 967-137	G 3/8	2	G 1/2	4500
139310	FU 968-137	G 1/2	2	G 1/2	4500

Accessories / Spare parts

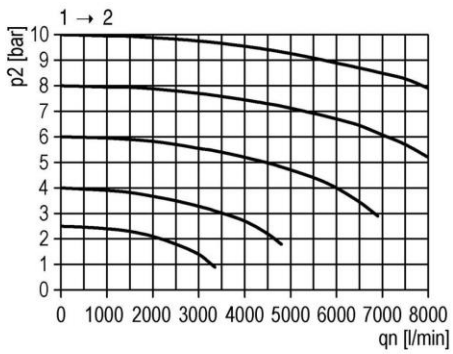
Art. No.	Type No.	Description
100043	H 852	Mounting bracket, incl. 2 screws
100044	WK 102	Wall bracket, incl. 2 screws
100045	KP 200	Joiner set, incl. 2 screws
100291	564-4	Silencer, sintered bronze, short
100292	567-4/M	Silencer, sintered bronze, with brass hexagon nut and thread
100331	WK 102-38	Wall bracket with connection thread G 3/8
100332	WK 102-12	Wall bracket with connection thread G 1/2
100333	WK 102-34	Wall bracket with connection thread G 3/4

P 1-394 e

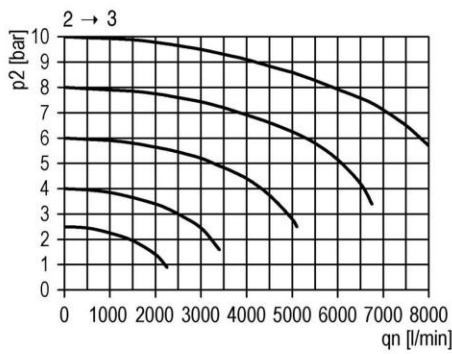
3/2-way valve
pneumatically operated
Art. No. 139309 and 139310



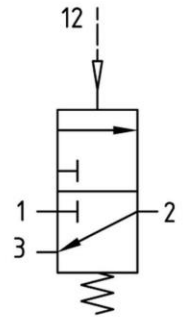
flow characteristic



rear exhaust



symbol



pilot pressure

